

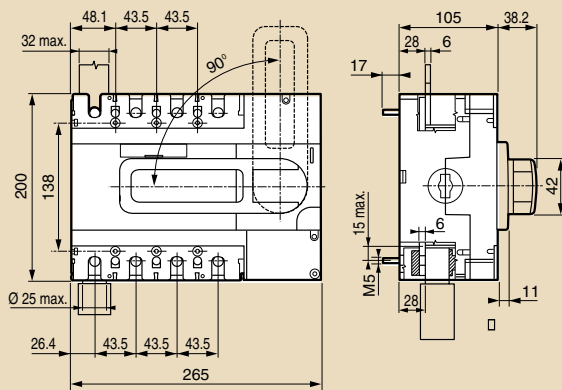
DPX-IS™ 630

Technical characteristics

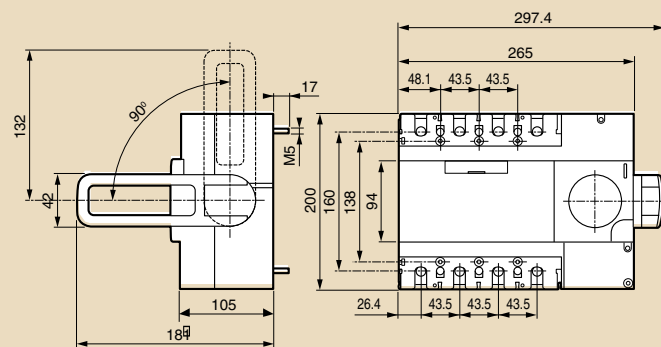
Rating	400 A	630 A
Terminals	cage	
Connection	Cu flexible	1 x 240 or 2 x 185 mm ²
	Cu rigid	1 x 240 or 2 x 185 mm ²
Copper bar	Width max 32 mm	
Nominal Rating (Ue)	690 V ac	
Rated insulation voltage (Ui)	800 V ac	
Rated impulse withstand voltage (Uimp)	8 kV ac	
AC 23 A	400 V ac	400 A
	500 V ac	400 A
	690 V ac	400 A
AC 22 A	400 A	630 A
	690 V ac	400 A
I admissible Is (Icw)	20 kA RMS	
I admissible with fuse (kA efficient) (Icc)	100 kA	
Max. rating of fuse gG	400 A	630 A
Max. rating of fuse aM	400 A	630 A
Short-circuit making capacity (kA efficient) (Icm)	40 kA	
Mechanical endurance	15 000 operations	
Electrical endurance (AC 23 400 V ac)	1 500 operations	
Index of protection	IP 20 front panel	

Dimensions

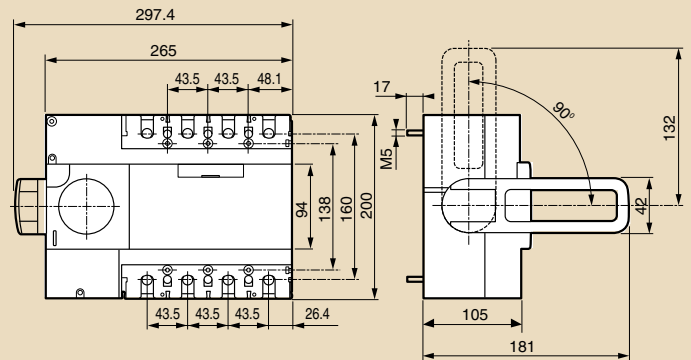
Front handle



Right lateral handle



Left lateral handle



Front handle with terminal shields

