



IECEX Certificate of Conformity

INTERNATIONAL ELECTROTECHNICAL COMMISSION IEC Certification Scheme for Explosive Atmospheres

for rules and details of the IECEx Scheme visit www.iecex.com

Certificate No.: IECEx INE 19.0006X

Issue No: 0

Certificate history:

[Issue No. 0 \(2019-03-27\)](#)

Status: **Current**

Page 1 of 3

Date of Issue: **2019-03-27**

Applicant: **APPLETON Group - ATX**
E.I.N.
35 rue André Durouchez
CS 98017
80084 Amiens cedex 2
France

Equipment: **LED Luminaire Type: FNLED – Model: FNLED *******

Optional accessory:

Type of Protection: **ec, tc**

Marking:

Ex ec IIC T5 ... T3 Gc
Ex tc IIIC T60°C ... T80°C Dc
IP66

*Approved for issue on behalf of the IECEx
Certification Body:*

Thierry HOUEIX

Position:

Ex Certification Officer

*Signature:
(for printed version)*

Date:

2019-03-27

1. This certificate and schedule may only be reproduced in full.
2. This certificate is not transferable and remains the property of the issuing body.
3. The Status and authenticity of this certificate may be verified by visiting the [Official IECEx Website](#).

Certificate issued by:

INERIS
Institut National de l'Environnement Industriel
et des Risques, BP n2
Parc Technologique ALATA
France



IECEX Certificate of Conformity

Certificate No: IECEx INE 19.0006X Issue No: 0
Date of Issue: 2019-03-27 Page 2 of 3
Manufacturer: **APPLETON Group - ATX**
E.I.N.
35 rue André Durouchez
CS 98017
80084 Amiens cedex 2
France

Additional Manufacturing location(s):

Emerson Hazardous Electrical Equipment (Shanghai) Co., Ltd.

Block A, 3rd floor,
480 Xinmiaosan Road,
Song Jiang,
Shanghai
China

This certificate is issued as verification that a sample(s), representative of production, was assessed and tested and found to comply with the IEC Standard list below and that the manufacturer's quality system, relating to the Ex products covered by this certificate, was assessed and found to comply with the IECEx Quality system requirements. This certificate is granted subject to the conditions as set out in IECEx Scheme Rules, IECEx 02 and Operational Documents as amended.

STANDARDS:

The apparatus and any acceptable variations to it specified in the schedule of this certificate and the identified documents, was found to comply with the following standards:

IEC 60079-0 : 2017 Edition:7.0	Explosive atmospheres - Part 0: Equipment - General requirements
IEC 60079-31 : 2013 Edition:2	Explosive atmospheres - Part 31: Equipment dust ignition protection by enclosure "t"
IEC 60079-7 : 2017 Edition:5.1	Explosive atmospheres - Part 7: Equipment protection by increased safety "e"

*This Certificate **does not** indicate compliance with electrical safety and performance requirements other than those expressly included in the Standards listed above.*

TEST & ASSESSMENT REPORTS:

A sample(s) of the equipment listed has successfully met the examination and test requirements as recorded in

Test Report:

[FR/INE/ExTR19.0007/00](#)

Quality Assessment Report:

[FR/LCI/QAR07.0008/12](#)

[NO/PRE/QAR15.0039/03](#)



IECEX Certificate of Conformity

Certificate No: IECEx INE 19.0006X

Issue No: 0

Date of Issue: 2019-03-27

Page 3 of 3

Schedule

EQUIPMENT:

Equipment and systems covered by this certificate are as follows:

This product is a LED Luminaire protected by increased safety "ec" and by enclosure "tc". It exists in standard version only.

It comprises a body and a transparent lens with hinges. The sealing is achieved using a gasket fixed in the groove of the lens.

The LED luminaire has two configurations in function of axis and lens gaskets used. The ambient operating temperature range of the luminaire is different according to the configuration. See Annex.

The LED luminaire can be equipped with certified Ex components. The list is provided in Annex.

SPECIFIC CONDITIONS OF USE: YES as shown below:

The drivers are factory programmed with required output current within the 'settable output current' range mentioned on the driver label. Programming the drivers on field is strictly prohibited.

Beware of electrostatic charges: Wipe / clean only with a moist cloth.

Annex:

[IECEX INE 19.0006X-00_Annex.pdf](#)



IECEX Certificate of Conformity

Certificate No.: IECEx INE 19.0006X

Issue No.: 0

Page 1 of 3

Annex: IECEx INE 19.0006X-00_Annex.pdf

PARAMETERS RELATING TO THE SAFETY

	MODEL			
	3K	4K	5K	7K
Rated supply voltage	120-277Vac, 50/60 Hz; 125-300Vdc			
Maximum current	0.3 A	0.35 A	0.45 A	0.65 A
Quantity of driver	1	1	1	2
Driver output current	0.52 A ⁽¹⁾	0.7 A ⁽²⁾	0.84 A ⁽³⁾	0.6 A ⁽⁴⁾

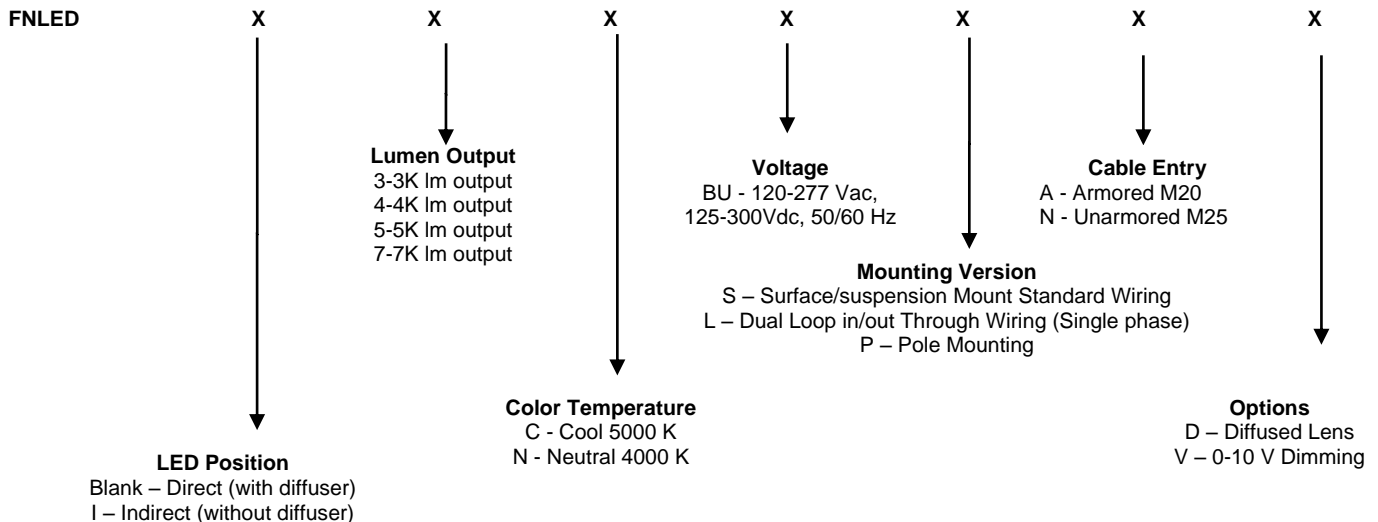
- (1) 520 mA is nominal value for 3000 lm output. Maxi 630 mA while keeping the same T. rating as 520 mA.
- (2) 700 mA is nominal value for 4000 lm output. Minimum 631 mA while keeping the same T. rating as 700 mA.
- (3) 840 mA is nominal value for 5000 lm output. Maxi 1 A while keeping the same T. rating as 840 mA.
- (4) 600 mA is nominal value for 7000 lm output. Maxi 650 mA while keeping the same T. rating as 600 mA.

MARKING

Marking has to be readable and indelible; it has to include the following indications:

- APPLETON – ATX and/or EMERSON
- 80084 AMIENS – France
- Type: FNLED
- Model: FNLED***** ⁽¹⁾
- IECEx INE 19.0006X
- Serial Number
- Ex ec IIC T5 ... T3 ⁽²⁾ Gc
- Ex tc IIIC T60°C ... T80°C ⁽²⁾ Dc
- IP66
- -30°C or -40°C ⁽³⁾ ≤ Ta ≤ +40°C to +55°C ⁽²⁾
- Rated voltage
- Maximum current
- WARNING:
 - DO NOT OPEN WITH POWER ON
 - DO NOT OPEN WHEN AN EXPLOSIVE ATMOSPHERE IS PRESENT
 - BEWARE OF ELECTROSTATIC CHARGES: WIPE / CLEAN ONLY WITH A MOIST CLOTH

(1) Number Logic:





IECEX Certificate of Conformity

Certificate No.: IECEx INE 19.0006X

Issue No.: 0

Page 2 of 3

Annex: IECEx INE 19.0006X-00_Annex.pdf

(2) Maximum surface temperatures according to Maximum ambient temperature:

Explosive atmosphere			Dust			
Tamb max			+40°C	+45°C	+50°C	+55°C
Model	Position	Diffuser	Tsurface			
2ft 3000Lm	Horizontal	with or without	60	65	70	75
	Vertical	with or without	60	65	70	75
2ft 4000Lm	Horizontal	with or without	60	65	70	75
	Vertical	with or without	60	65	70	75
4ft 5000Lm	Horizontal	with or without	60	65	70	75
	Vertical	with or without	65	70	75	80
4ft 7000Lm	Horizontal	with or without	65	70	75	80
	Vertical	with or without	65	70	75	80

Explosive atmosphere			Gas			
Tamb max			+40°C	+45°C	+50°C	+55°C
Model	Position	Diffuser	Temperature class			
2ft 3000Lm	Horizontal	with or without	T4	T4	T4	T4
	Vertical	with or without	T4	T4	T4	T4
2ft 4000Lm	Horizontal	with or without	T4	T4	T3	T3
	Vertical	with or without	T4	T4	T4	T3
4ft 5000Lm	Horizontal	with or without	T5	T4	T4	T4
	Vertical	with or without	T5	T4	T4	T4
4ft 7000Lm	Horizontal	with or without	T4	T4	T4	T4
	Vertical	with or without	T4	T4	T4	T4



IECEX Certificate of Conformity

Certificate No.: IECEx INE 19.0006X

Issue No.: 0

Page 3 of 3

Annex: IECEx INE 19.0006X-00_Annex.pdf

(3) Minimum ambient temperatures configurations:

Configuration	Configuration 1	Configuration 2
Type of axis gasket	NBR 70sh 36624	EPDM 55914
Type of lens gasket	EPDM BK1101	XIAMETER Silicon
Minimum ambient temperature	-30°C	-40°C

ROUTINE EXAMINATIONS AND TESTS

Each piece of equipment defined above must have successfully passed before delivery:

- In accordance with clause 7.1 of IEC 60079-7 standard, a test of dielectric strength on each of the different circuits.

LIST OF Ex COMPONENTS

Designation of component	Manufacturer	Type	Certificate	Standards	Ex marking
LED Driver	Appleton Group - ATX	APMS050C135UD	IECEX ITS 17.0014U	IEC 60079-0 : 2011 ⁽³⁾ IEC 60079-7 : 2015 ⁽³⁾	Ex ec IIC Gc
Feed through and protective conductor terminal blocks	Weidmüller Interface GmbH & Co. KG	WDU-WPE	IECEX ULD 14.0005U	IEC 60079-0:2011 ⁽¹⁾ IEC 60079-7:2006-07 ⁽¹⁾	Ex eb IIC
Terminal Strips	Weidmüller Interface GmbH & Co	MK 3	IECEX SIR 05.0036U	IEC 60079-0:2004 ⁽²⁾ IEC 60079-7:2001 ⁽²⁾	Ex e II

(1) The Ex component is not impacted by the major technical changes of IEC 60079-0:2017, IEC 60079-7:2015 and IEC 60079-7:2017

(2) The Ex component is not impacted by the major technical changes of IEC 60079-0:2007-10, IEC 60079-0:2011, IEC 60079-0:2017, IEC 60079-7:2006-07, IEC 60079-7:2015 and IEC 60079-7:2017

(3) The Ex component is not impacted by the major technical changes of IEC 60079-0:2017 and IEC 60079-7:2017